



Etan trampoline tent



USER'S MANUAL OF TRAMPOLINE TENT

READ CAREFULLY ALL THE ASSEMBLY STEPS AND FIGURES BEFORE YOU START ACTION ON ASSEMBLING, STRONGLY RECOMMENDED TWO ADULT WITH THE GLOVES WORK TOGETHER TO BUILD UP THIS TENT.

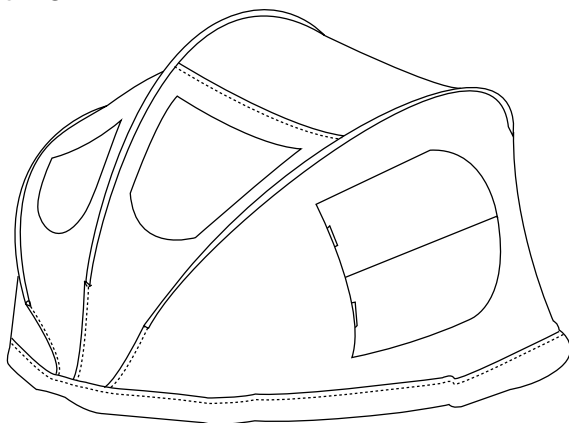
To avoid and reduce the unexpected accident happened while using this tent, please read this user's manual before you assemble or use the tent.

- This tent only use with the trampoline together.
- Keep the flame and heat sources away from the fabric
- Adult supervision required for children activities inside or around the tent.
- Adult assist children step into and out of the tent.
- No jumping inside the tent and climbing around the trampoline.
- Always keep the fresh air inside the tent by open the window.
- The heat of high temperature not comfortable to the children, not suggest using under big sunshine or during very hot days.
- No fires, flame inside or near the tent.
- Do not use household electrical appliances or plug-in electrical devices inside the tent.
- The floor sheet must be in place while using the tent to protect the jumping mat.
- Things with sharp or point tip will damage the tent.

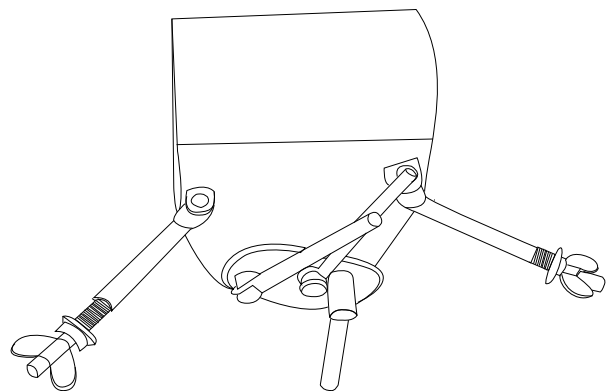
COMPONENTS:

PART NO.	DESCRIPTION	Q'TY
1	Tent	1
2	Pole supporter	2
3	Fiber glass pole	3
4	Floor sheet	1

Part No. 1



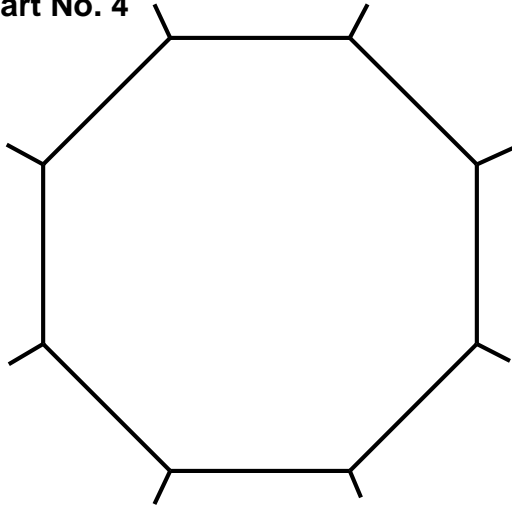
Part No. 2



Part No. 3

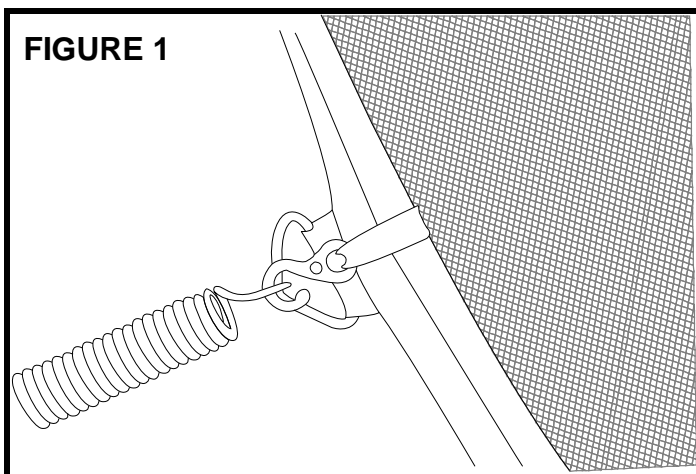


Part No. 4



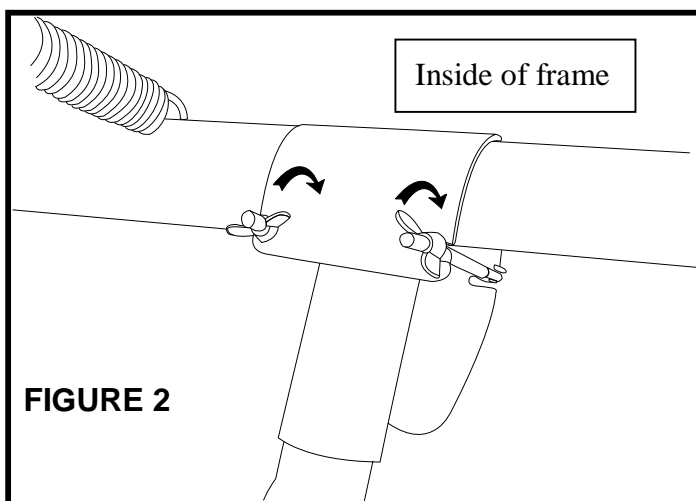
HOW TO ASEMBLE THE TRAMPOLINE TENT

- Read all assembly steps carefully before beginning to assemble the tent.



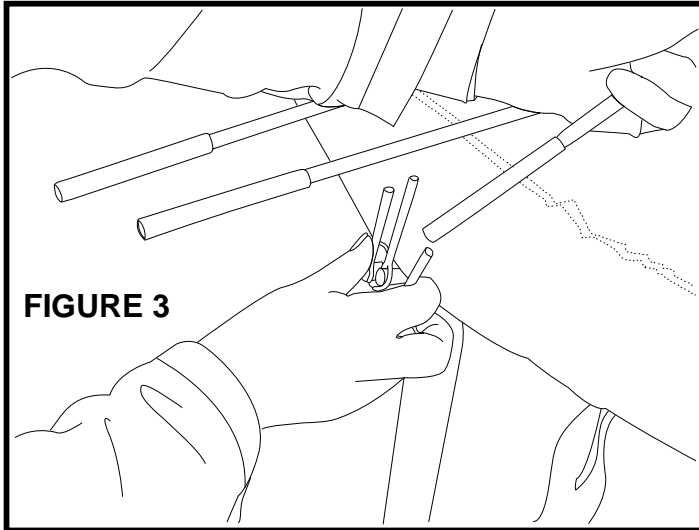
Step 1: Lay out the floor sheet

Ensure your trampoline secured well for all frames and parts; make sure all parts - tent, fiberglass poles and poles supporter included. Open the floor sheet (part No.4) and put it above the trampoline jumping mat surface smoothly then fix the floor sheet onto the trampoline by the "S" hook one by one (see figure 1)



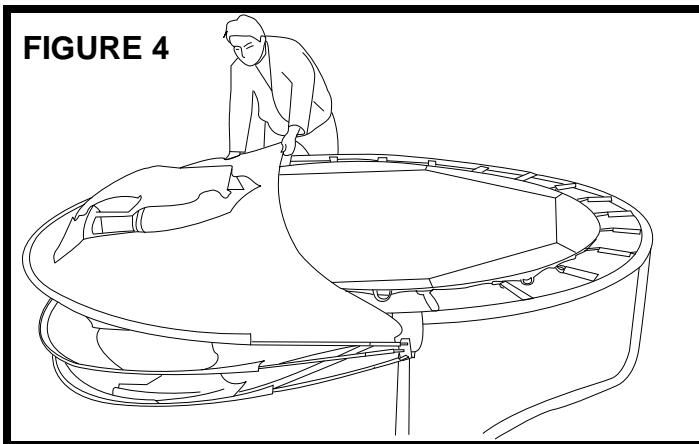
Step 2: Fix the poles supporter

Put poles supporter (part No.2) onto the "T" shape position on trampoline main frame (see figure 2), lock and secure the poles supporters by two butterfly screws, (screw up as show on figure 2). Follow the same way for the other one but make sure the 2 poles supporters clamped on the correct position, the opposite side of the main frame.



Step 3: Lay out the tent

Open your tent and put it above the floor sheet and make sure the door and windows are closed, this will help to set up easier later on, at the same time please aim the pole sleeve direction to the poles supporter position, extend 3 fiber glass poles then insert to the pole sleeves one by one smoothly.



Step 4: Set up the tent

Joint the poles end (with steel cap) on the pole supporter one by one (see figure 3),
CAUTION: EACH POLE MUST BE INSERT INSIDE THE METAL TUBE COMPLETED AND FIRMLY.

Joint the other 3 poles end on the opposite side of main frame after bent the poles with some pressure and at the mean time raise up whole tent (see figure 4). Fix the tent bottom onto the trampoline by "S" shape hooks connect to the steel triangle loop of trampoline (see figure 5).

De-assemble the trampoline tent

Follow the steps in reverse and clean the tent before be packed up, the fabric and all parts must keep in dry condition and make sure all the parts of tent de-assemble from the trampoline.

ETAN Trampolines BV

Schouwrooij 4

5281 RE Boxtel

The Netherlands

www.etan-international.com